



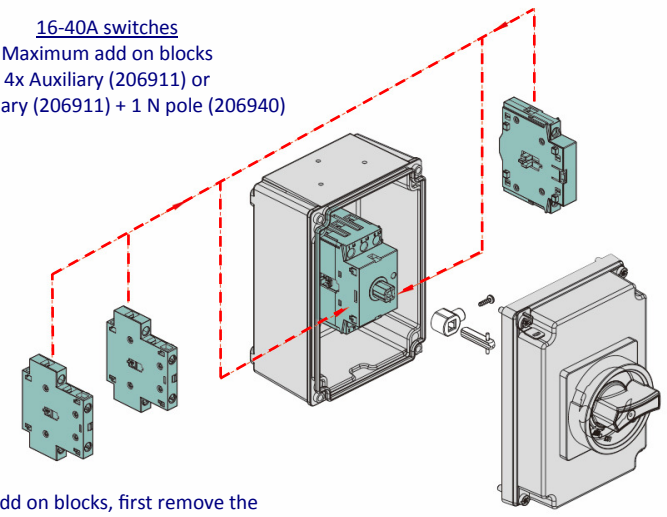
Palazzoli GROUP

This unit must be installed by a qualified electrician in accordance with the latest edition of the IET wiring regulations BS7671. The enclosure should be installed on a flat surface, and must be earthed. To maintain the ingress protection rating of the enclosure, suitable cable entry glands must be utilised.

Switch rating	Maximum size & number of cable entries
16-40A	2x M20/M25 or 1x M32 both top & bottom
63-80A	2x M25/M32 or 1x M40 both top & bottom
100-125A	2x M32/M40 or 1x M50 both top & bottom

Technical Data	
Reference standard	IEC60947-3
Rated operational voltage (Ue)	690Vac
Rated current (Ith/Ie) ≤40°C	16-125A
Rated frequency (Fn)	50/60Hz
Rated insulation voltage (Ui)	800V ac
Rated impulse withstand voltage (Uimp)	8kV
Insulation Class	I
Rated conditional short circuit current (Ip) r.m.s 415Vac	16-40A: 10kA 63-80A: 15kA 100-125A: 20kA
Rated short time withstand current (Icw) r.m.s 690V / 1 second	1-40A: 1000A 63-80A: 1500A 100-125A: 2500A
Rated short circuit making capacity (Icm) 690V	1-40A: 800A 63-80A: 1400A 100-125A: 2100A
Rated breaking capacity	8x Ie
Terminal cable capacity line/load (enclosed switches)	16-40A: 0.75-6mm ² 63-80A: 1.5-25mm ² 100-125A: 10-50mm ²
Terminal tightening torque	16-40A: 1.2Nm 63-80A: 3Nm 100-125A: 8Nm
Ingress protection rating EN60529	IP65 / IK08
Operating temperature	-25 to +55°C
Derating factor ≥40°C	20%
Storage temperature	-40 to +70°C
Enclosure finish colour	RAL7046

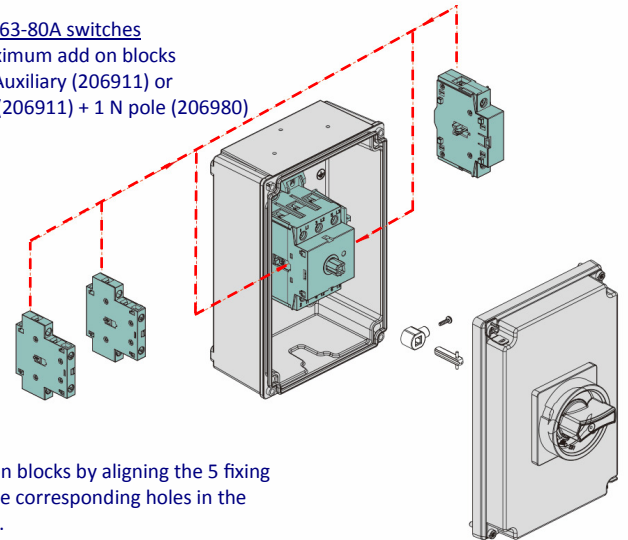
16-40A switches
Maximum add on blocks
4x Auxiliary (206911) or
3x Auxiliary (206911) + 1 N pole (206940)



To install add on blocks, first remove the switch body from the metal enclosure by undoing the 2 screws that hold it in place.

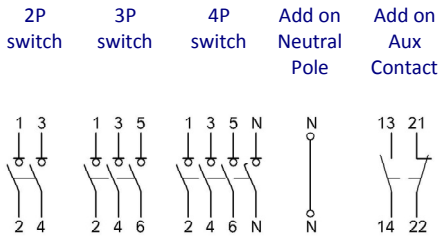
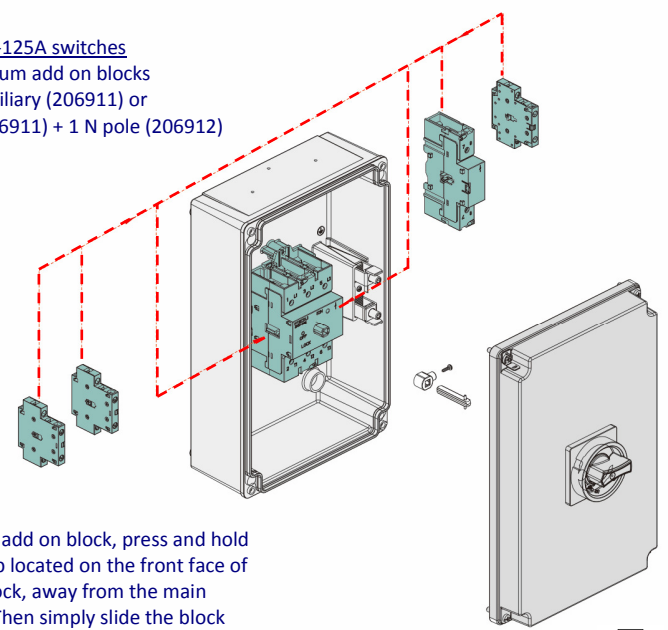
Due to an enclosure wall thickness of 8mm, cable glands with long entry thread are recommended for installation

63-80A switches
Maximum add on blocks
4x Auxiliary (206911) or
2x Auxiliary (206911) + 1 N pole (206980)



Install add on blocks by aligning the 5 fixing clips with the corresponding holes in the switch body. With the clips aligned, press the add on block tight to the main switch body, and then lock into place by pressing the add on block towards the rear of the switch until it clicks.

100-125A switches
Maximum add on blocks
4x Auxiliary (206911) or
3x Auxiliary (206911) + 1 N pole (206912)



To padlock the switch in the 0 OFF position, rotate the red operating handle anticlockwise past the 0 OFF position to open the padlock hasp. Suitable for padlock with shackle diameter up to 6mm

206162	206163	206164	206940	206911
206252	206253	206254	206980	
206402	206323	206324	206912	
206632	206403	206404		
	206633	206634		
	206803	206804		
	206103	206104		
	206123	206124		

To remove an add on block, press and hold the locking tab located on the front face of the add on block, away from the main switch body. Then simply slide the block towards the front of the switch to release the fixing clips and detach.

