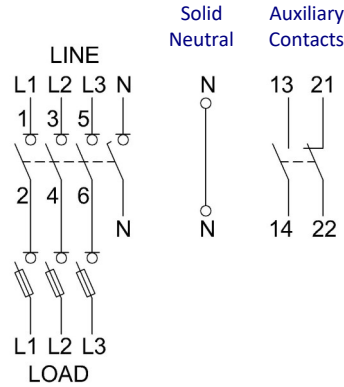


This unit must be installed by a qualified electrician in accordance with the latest edition of the IET wiring regulations BS7671. The enclosure should be installed on a flat vertical wall, and must be earthed. To maintain the ingress protection rating of the enclosure, suitable cable entry glands must be utilised.



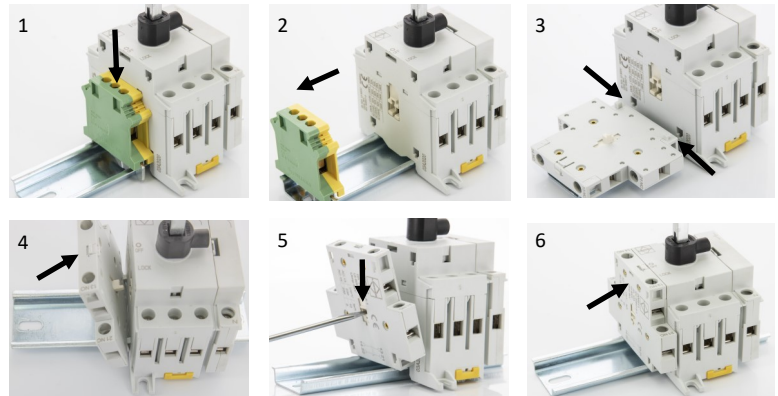
General Characteristics		
Ingress protection rating EN60529	IP65	
Enclosure material	Mild steel	
Enclosure finish colour	RAL7035	
Insulation Class	I	
Operating temperature	-5 to +40°C	
Storage temperature	-25 to +55°C	
Enclosure door locking—quarter turn	Double bar lock	
Mechanical interlock with door	ON position only	
Pad lockable	OFF position only	
Suggested cable capacity line/load (min/max) for enclosed fused switches	32A 63-80A 100-125A	1-10mm <sup>2</sup> 1.5-35mm <sup>2</sup> 10-50mm <sup>2</sup>



The switch can be pad locked in the 0 OFF position by up to three padlocks with shackle diameters up to 6mm

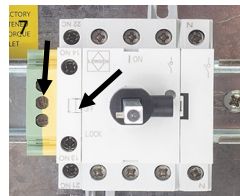
The switch mechanism may be fitted with a maximum of two add on auxiliary contact blocks (type 206911), on the left hand side of the switch.

- Loosen the centre screw on the green /yellow earth terminal
- Slide it to the left to provide access to the switch body.
- Align the 2 fixing clips on the add on block with the corresponding holes on the switch body
- Rotate the add on block towards the upright position
- Press down the actuator on the auxiliary contact block
- Lock into place
- Reposition the earth terminal and securely fasten the centre screw

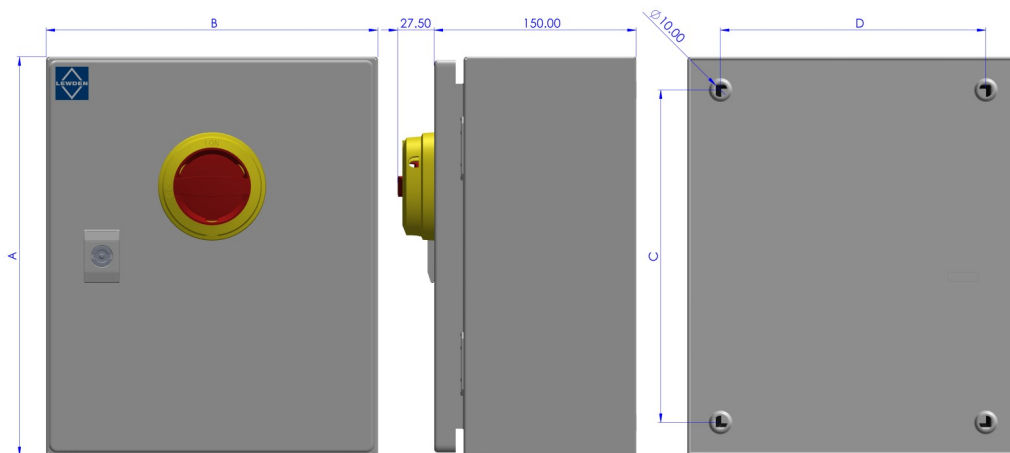


To release an add on block, press and hold the locking tab located on the front face of the block (see picture 7), away from the main switch body.

The switched neutral pole (on the right hand side of the switch assembly) can be exchanged for an alternative neutral pole with solid unswitched connection, using the same method as detailed above for fixing / releasing of add on blocks. (Refer to table overleaf for relevant part numbers).



Switch Disconnecter Auxiliary Contacts				
Part No	Config.	Parameters	Ui	Uimp
206911	1NO+1NC	AC-13: 10A 230V~ AC-15: 6A 230V~	600V	6kV



Overall Dimensions (mm)				
Model Number	A	B	C	D
FIS324P	300	250	250	200
FIS634P FIS804P FIS63804P	400	300	350	250
FIS1004P FIS1254P FIS1001254P	500	300	400	250



Switch Disconnector Rated Operational Current & Power									
Model Number	Ith	Ue	Utilisation Category				Optional Accessories		
			AC-21A/B	AC-22A/B	AC-23A/B		Unswitched Neutral Pole	Neutral Pole Rating	Auxiliary Contact 1NO + 1NC
FIS324P	32A	400V	32A	32A	32A	15kW	206940	40A	206911
FIS634P	63A	400V	63A	63A	63A	30kW	206980	80A	
FIS804P FIS63804P	80A	400V	80A	80A	80A	37kW		206912	
FIS1004P	100A	400V	100A	100A	100A	45kW			
FIS1254P FIS1001254P	125A	400V	125A	125A	125A	55kW			

Model Number	Fuse Links included as standard
FIS324P	3x 32A gG
FIS634P	3x 63A gG
FIS804P	3x 80A gG
FIS63804P	3x 63A gG 3x 80A gG
FIS1004P	3x 100A gG
FIS1254P	3x 125A aM
FIS1001254P	3x 100A gG 3x 125A aM

Fuse Link and Fuse Holder Ratings					
Model Number	Fuse Type	Max Fuse Rating (Amps)	Fuse Holder Rating (Amps)	Fuse link IEC60269-2 Cylindrical	Max. Dissipation (Watts)
FIS324P	gG	32A	32A	10x38mm	3W
	aM	25A			1.3W
FIS634P	gG	63A	100A	22x58mm	9.5W
	aM	63A			7W
FIS804P FIS63804P	gG	80A			9.5W
	aM	80A			7W
FIS1004P	gG	100A	9.5W		
	aM	100A (50kA)	7W		
FIS1254P FIS1001254P	gG	100A	125A	22x58mm	9.5W
	aM	125A			9.5W

Switch Disconnector Technical Data		
Reference standard	IEC60947-3	
Rated operational voltage (Ue)	400V	
Rated current (Ith/Ie) ≤40°C	32 / 63 / 80 / 100 / 125A	
Rated frequency (Fn)	50/60Hz	
Rated insulation voltage (Ui)	800V ac	
Rated impulse withstand voltage (Uimp)	8kV	
Rated breaking capacity	8x Ie	
Rated conditional short circuit current (Ip) r.m.s 690Vac	32A 63-80A 100-125A	10kA 15kA 20kA
Rated short time withstand current (Icw) r.m.s at 690V / 1 second	32A 63-80A 100-125A	1000A 1500A 2500A
Rated short circuit making capacity (Icm) at 690V	32A 63-80A 100-125A	800A 1400A 2100A
Switch terminal capacity line/load (min/max)	32A 63-80A 100-125A	0.75-10mm <sup>2</sup> 1.5-35mm <sup>2</sup> 10-70mm <sup>2</sup>
Terminal tightening torque	32A 63-80A 100-125A	1.2Nm (Screw PZ M5) 3Nm (Screw PZ M6) 8Nm (Allen key 4mm)

Fuse Holder Technical Data		
Reference standards	IEC60947-1 IEC60947-3 IEC60269-2 (BS88-2)	
Rated operational voltage (Ue)	400V	
Rated current (Ith/Ie) ≤40°C	32 / 63 / 80 / 100 / 125A	
Rated frequency (Fn)	50/60Hz	
Rated insulation voltage (Ui)	690V	
Rated impulse withstand voltage (Uimp)	8kV	
Ingress Protection IEC60529	IP20	
Rated conditional short circuit current (Ip) r.m.s	32A 63-100A 63-100A 125A	100kA/400V 120kA/400V (100A gG) 50kA/400V (100A aM) 100kA/400V
Rated short time withstand current (Icw)	32A 63-100A 125A	300A/1s 1200A/1s 1200A/1s
Fuse Holder terminal capacity line/load (min/max)	32A 63-100A 125A	1-25mm <sup>2</sup> 4-50mm <sup>2</sup> 4-50mm <sup>2</sup>
Terminal tightening torque	32A 63-100A 125A	2Nm (Screw PZ M5) 2.5-3Nm (Screw PZ M6) 4Nm (Screw PZ M6)