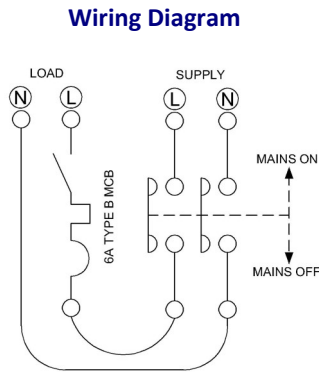


FAU456

Technical

Rated Current Ie:	45A
Rated Operating Voltage (Ue):	230V 50Hz
No. of Poles:	1P+N
Utilization category:	AC22A switching of mixed resistive and inductive loads including moderate overloads
IP rating:	IP20 to BS EN60529
Conforms to:	BS EN 61439-3
Main switch:	BS EN60947-3
MCB:	6A 1 pole type B 6kA BSEN60898-1
Max. cable size	35mm²
Enclosure Material:	Mild steel
Finish:	RAL3020 Epoxy powder coat
Dimensions (mm):	250H x 135W x 89D
Knockouts:	25+32mm top and bottom
Supplied with:	2x locking devices, which can be fitted to main switch and MCB in either the ON or OFF position (padlocks not included)
Tightening torque:	Main switch: 2.5Nm MCB: 2.5Nm



This unit must be installed by a qualified electrician in accordance with the latest edition of the IEE Wiring Regulations for Electrical Installations (BS 7671).

1 Installation Guide

- 1.1 Remove appropriate cable knockout(s)
- 1.2 Loosen the two cover screws and remove the front cover
- 1.3 Fix FAU456 securely to wall with 3 screws
- 1.4 Ensure main switch is in the OFF position
- 1.5 Cut and dress MAINS feed cables to top terminals on main switch (L + N) .
- 1.6 Connect LOAD cable to top terminal of the MCB and outgoing neutral terminal
- 1.7 Check all connections are torqued to the correct settings
- 1.8 Ensure the 'Earth Link Connection' is attached and secure, between the earth studs on the back box and cover of the enclosure, before fitting the front cover.
To relieve undue pressure on the stud, first fit the M6 plain nut and washer. Fit the earth cable to the stud, and secure using the nylok nut; by locking the two nuts against each other.
- 1.9 Refit front cover

2 Testing of the Installation

- 2.1 Following completion of the installation, it is essential that it is tested in accordance with the latest edition of the IEE Wiring Regulations for Electrical Installations (BS 7671).

What to do if an MCB trips

Reset tripped MCB to the ON position. If device trips again, disconnect all appliances connected to this circuit. Switch MCB ON and safely connect appliances one at a time to identify which one trips the device.

In all cases, once the faulty appliance has been identified, do not continue to use the item until it has been checked.

USER GUIDE MUST BE LEFT WITH THE UNIT FOR FUTURE REFERENCE

