



The Electricians' Choice



TAIS *Cube*

**Click
Cube**

Palazzoli

**DISTRIBUTION BOARDS
IN THERMOSETTING (GRP)**

With the revolutionary clipping system.



The Electricians' Choice



Tais Cube designed in GRP thermosetting

For tough enclosure applications where space, ingress protection, quick installation and long service life is important. available with blind or transparent door.

Tais Cube flexible and cost effective solutions for industry, commerce, rail, power distribution, switching automation, control and monitoring.

TAIS Cube series

TAIS Cube series distribution and automation boards are a range of products in thermosetting (GRP) for heavy duty uses with IP66 protection rating and resistant to UV rays.

The system is composed of 7 sizes in the versions with blind or transparent door.

The accessories to use the board in typical configurations of automation are the back plate in steel sheet or in thermosetting (GRP) and the inner door in thermosetting (GRP), equipped with opening handles and that can be installed at two different positions and fixed on both sides.

In the configuration for distribution, the steel frame allows modular compositions with blind or windowed moulded panels, EN 50022 rails that can be regulated at different depths, and partial back plates.

All the elements can be fixed with the "Click Cube" clipping system.

Wiring can be done on the bench, out of the board or directly inside the board.

The door is fixed to the back box with elements in nicked brass and stainless steel located far from the edges and that allows an opening wider than 180°.



Conformity to standards	IEC/EN 62208
Material	Thermosetting (GRP)
Protection rating (IP as per IEC/EN 60529)	IP66
Colour	RAL7035
Resistance to abnormal heat and fire ("Glow Wire" as per IEC/EN 60695-2-10)	960°C
Self-extinguishing grade (as per UL94)	V0
Resistance to impacts (IK rating as per IEC/EN 62262)	IK10
Rated frequency	0 - 1000 Hz
Rated voltage AC	AC 1000 Vac
Rated voltage DC	DC 1500 Vdc
Rated impulse seal voltage	8kV
Maximum short-circuit current	Idc 35kA
Insulation class	II
Operating temperature	-30°C - +100°C

Resistance to chemical agents

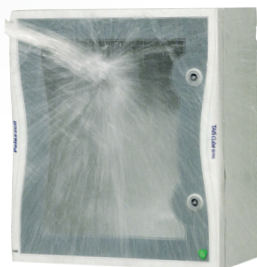
WATER	SALINE ATMOSPHERES	ACIDS		CHEMICAL BASES		SOLVENTS			
		CONCENTRATED	DILUTED	CONCENTRATED	DILUTED	ALCOHOL	ACETONE	PERCHLOROETHYLENE	BENZENE
↑	↑	→	↑	↑	↑	↑	↑	↑	↑
OILS		FATS		AMMONIA	OXIDIZERS	INORGANIC SALTS	GASOLINE	DETERGENTS	U.V. RAYS
MINERAL	VEGETABLE	ANIMAL	SYNTETIC						
↑	↑	↑	↑	↑	↑	↑	↑	↑	↑

Legend: high resistance partial resistance

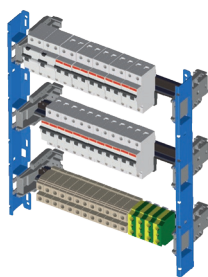


Resistant to everything thanks to the Palazzoli thermosetting material

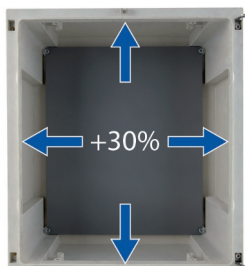
GOOD DESIGN
INTERNATIONAL AWARD



TAIS Cube has a very high protection rating, IP66. This characteristic, certified with a laboratory test, guarantees the product against strong water jets.



The steel frame allows to easily mount modular devices and cable trunkings and to comfortably wire everything on the bench, out of the board. The wired frame can then be easily inserted inside through a **click**. The material it is made of guarantees robustness and durability over time.



The board special design makes this series of products very wide and spacious. Consequently the back plate and door, either blind or transparent, offer 15% of extra space available if compared with similar sizes of the major competitors.



The door hinges, made of stainless steel and nicked brass, are located far from the edges to avoid eventual breakings in case of falls or impacts.



The Electricians' Choice

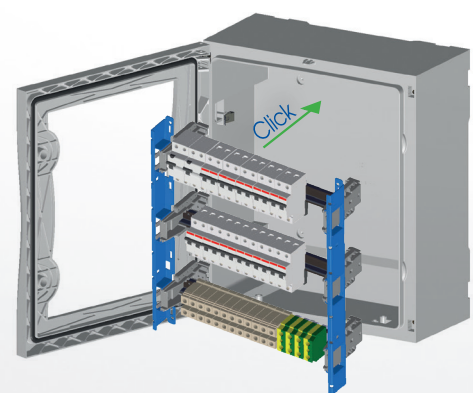
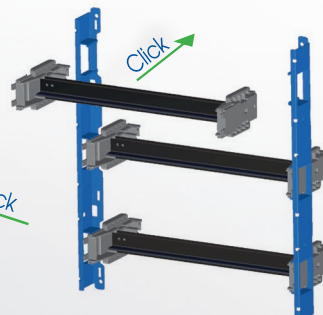
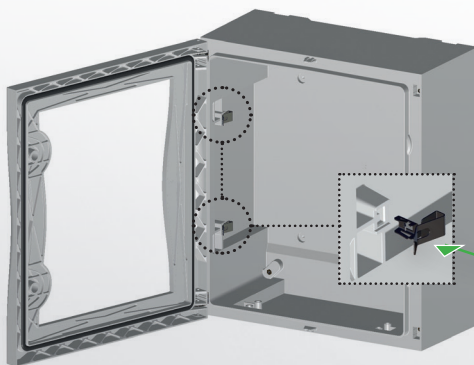


Size	N. vertical modules	N. EN 50022 modules	External dimensions	Internal usable dimensions	Distribution board with blind door	Distribution board with transparent door
1	-	-	260x305x160	200x250x100	550001	550031
2	3	36 (3x12)	340x430x180	280x375x120	550002	550032
3	3	54 (3x18)	450x505x220	390x450x160	550003	550033
4	4	72 (4x18)	450x655x220	390x600x160	550004	550034
5	4	96 (4x24)	560x655x260	500x600x200	550005	550035
6	5	140 (5x28)	630x810x300	570x750x235	550006	550036
7	5	200 (5x40)	850x1060x350	790x1000x290	550007	550037

THE REVOLUTIONARY



CLIPPING SYSTEM













insert the holders

assemble the frame

insert the frame



AUTOMATION			DISTRIBUTION 					
								
Back plate in steel	Back plate in thermosetting (GRP)	Inner door in thermosetting (GRP)	Click Cube functional frame	Click Cube windowed panel	Click Cube blind panel	Click Cube blind double panel	Click Cube EN 50022 rail	Click Cube partial back plate in steel
550601	550621	-	-	-	-	-	-	-
550602	550622	550502	550562	550522	550542	550552	550582	550632
550603	550623	550503	550563	550523	550543	550553	550583	550633
550604	550624	550504	550564	550525	550545	550555	550585	550635
550605	550625	550505	550564	550525	550545	550555	550585	550635
550606	550626	550506	550566	550526	550546	550556	550586	550636
550607	-	550507	550567	550527	550547	550557	550587	550637

COMMON ACCESSORIES				
				
Set of 4 brackets		Security lock	Support for pole mounting	
Zinc plated steel	Stainless steel		For sizes 1-2	For sizes 3-4-5
550640	550641	550680	550642	550643
				
Set of 50 clips for pre-drilled plates			Set of 8 brackets for fixing cable ducts	
Size 1-7			Steel	
550645			550648	

▲ Distribution boards in thermosetting (GRP) with blind door IP66

- Equipment included: key with triangular insert, screwcaps for double insulation.



Part Number	Size	External dimensions (mm)	Internal usable dimensions (mm)	Power dissipation allowed when empty (W)
550001	1	260x305x160	200x250x100	53
550002	2	340x430x180	280x375x120	90
550003	3	450x505x220	390x450x160	138
550004	4	450x505x220	390x600x160	174
550005	5	560x655x260	500x600x200	217
550006	6	630x810x300	570x750x235	302
550007	7	850x1060x350	790x1000x290	506

Note: the completed installation in conditions of extremely variable climate may require the use of anti-condensation devices.

▲ Distribution boards in thermosetting (GRP) with blind door IP66 with steel back plate

- Equipment included: key with triangular insert, screwcaps for double insulation. And steel back plate.



Part Number	Size	External dimensions (mm)	Internal usable dimensions (mm)	Power dissipation allowed when empty (W)
550011	1	260x305x160	200x250x100	53
550012	2	340x430x180	280x375x120	90
550013	3	450x505x220	390x450x160	138
550014	4	450x655x220	390x600x160	174
550015	5	560x655x260	500x600x200	217
550016	6	630x810x300	570x750x235	302
550017	7	850x1060x350	790x1000x290	506

Note: the completed installation in conditions of extremely variable climate may require the use of anti-condensation devices.

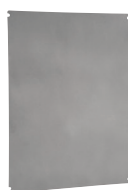
▲ Distribution boards in thermosetting (GRP) with transparent door IP66

- Equipment included: key with triangular insert, screwcaps for double insulation.



Part Number	Size	Internal usable dimensions (mm)	Power dissipation allowed when empty (W)
550031	1	200x250x100	53
550032	2	280x375x120	90
550033	3	390x450x160	138
550034	4	390x600x160	174
550035	5	500x600x200	217
550036	6	570x750x235	302
550037	7	790x1000x290	506

Note: the completed installation in conditions of extremely variable climate may require the use of anti-condensation devices.



▲ Back plates in steel

- Equipment included: complete with screws for mounting.

Part Number	Size	Dimensions (mm)
550601	1	180x240
550602	2	260x370
550603	3	370x445
550604	4	370x595
550605	5	475x595
550606	6	550x745
550607	7	765x995



▲ Back plates in thermosetting GRP

- Equipment included: 4 fixing screws.

Part Number	Size	Dimensions (mm)
550621	1	194x244
550622	2	276x370
550623	3	384x445
550624	4	384x595
550625	5	492x595
550626	6	564x745



▲ Inner doors in thermosetting (GRP)

- Characteristics: the inner door is reversible and easy to open through the handles. It can be used as back plate.

Part Number	Size	Dimensions(mm)
550502	2	280x375
550503	3	388x450
550504	4	388x600
550505	5	496x600
550506	6	568x750
550507	7	784x1000



▲ Pre-drilled back plates in steel

- Equipment included: 4 fixing screws, use clip code 550645 to install the devices.

Part Number	Size	Dimensions(mm)
550611	1	180x240
550612	2	260x370
550613	3	370x445
550614	4	370x595
550615	5	475x595
550616	6	550x745
550617	7	765x995



▲ Click Cube functional frames

In steel, for the installation of front panels and EN 50022 rails.

- Equipment included: complete with holders for mounting.
- Characteristics: it allows the wiring of the modular panels outside of the board and the installation of EN 50022 at different heights.



Part Number	Size	N. installable panels
550562	2	3
550563	3	3
550564	4-5	4
550566	6	5
550567	7	5



▲ Click Cube front windowed panels



With EN 50022 for modular devices.
 • Equipment included: modular covers.
 • Characteristics: quick fixing with ¼ turn screw insert.

Part Number	Size	Height (mm)	N. EN 50022modules
550522	2	125	12
550523	3-4	150	18
550525	5	150	24
550526	6	150	28
550527	7	200	40



▲ Click Cube front blind panels at single height



• Characteristics: quick fixing with ¼ turn screw insert.

Part Number	Size	Height (mm)
550542	2	125
550543	3-4	150
550545	5	150
550546	6	150
550547	7	200



▲ Click Cube front blind panels at double height



• Characteristics: quick fixing with ¼ turn screw insert.

Part Number	Size	Height (mm)
550552	2	250
550553	3-4	300
550555	5	300
550556	6	300
550557	7	400



▲ Click Cube EN 50022 rails reinforced for frames



• Equipment included: complete with screws for mounting.

Part Number	Size	N. EN 50022 modules
550582	2	12
550583	3-4	18
550585	5	24
550586	6	28
550587	7	40



▲ Click Cube partial back plates



In steel, adjustable in depth.
 • Equipment included: complete with screws for mounting.

Part Number	Size	Height (mm)
550632	2	125
550633	3-4	150
550635	5	150
550636	6	150
550637	7	200



▲ Set of brackets for wall mounting

• Characteristics: they can be mounted horizontally, vertically or hidden, retaining the double insulation.

Part Number	N. brackets	Material
550640	4	Zinc steel
550641	4	Stainless steel



▲ Pair of accessories for pole mounting

• Characteristics: predispositions for metal cable tie for mounting on poles with diameter up to 80mm.

Part Number	Size	Material
550642	1-2	Steel
550643	3-4-5	Steel



▲ Security lock with handle

• Characteristics: closing with Yale code key..

Part Number	N. keys	Material
550680	2	Steel

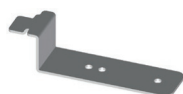


▲ Click Cube spacer kit

• Note: the kit must be used to install Click Cube functional frames in the distribution boards without predisposition (before 2015).



Part Number	Size	Length (mm)
550662	2	70
550663	3-4	110
550665	5	150
550666	6	190
550667	7	240



▲ Click Cube brackets for fixing cable trunkings

• Equipment included: complete with screws for mounting.
• Note: for all the sizes of functional frames.



Part Number	N. brackets	Material
550648	8	Steel



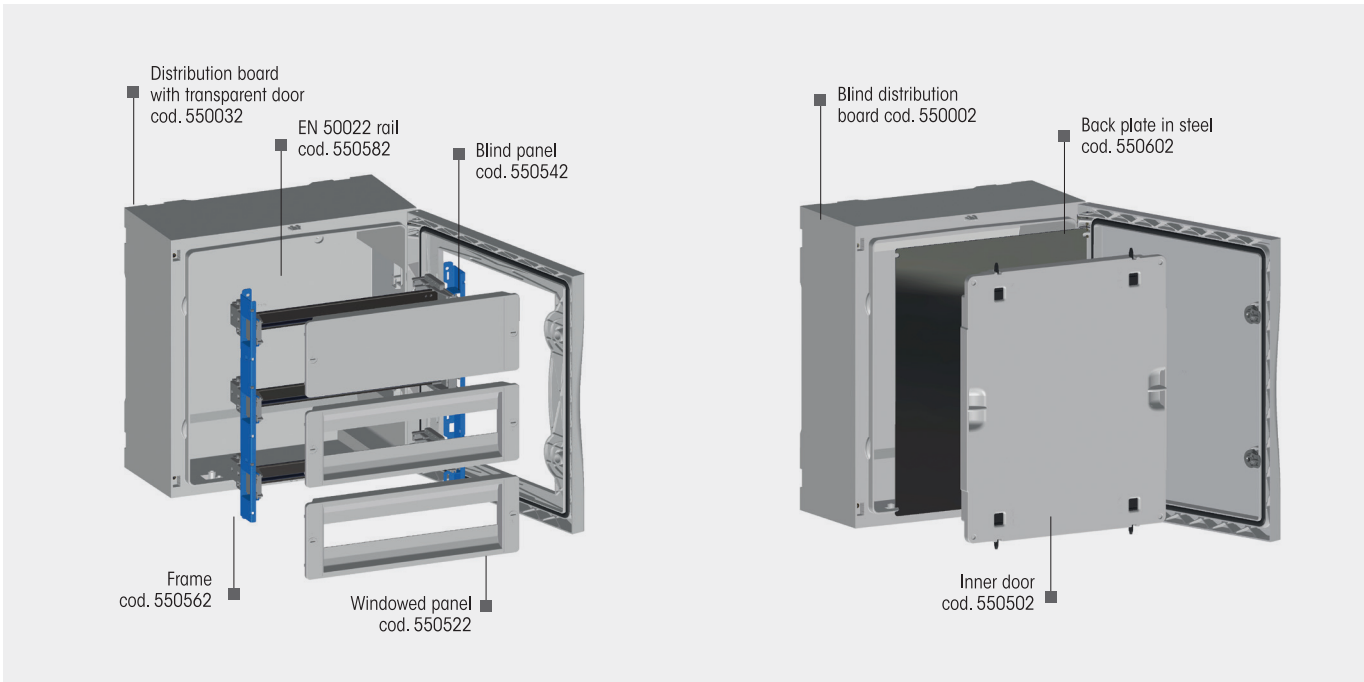
▲ Fixing clip with M5 thread for pre-drilled plates



Part Number	No. of clips	Material	Material
550645	50	1-7	steel



The Electricians' Choice

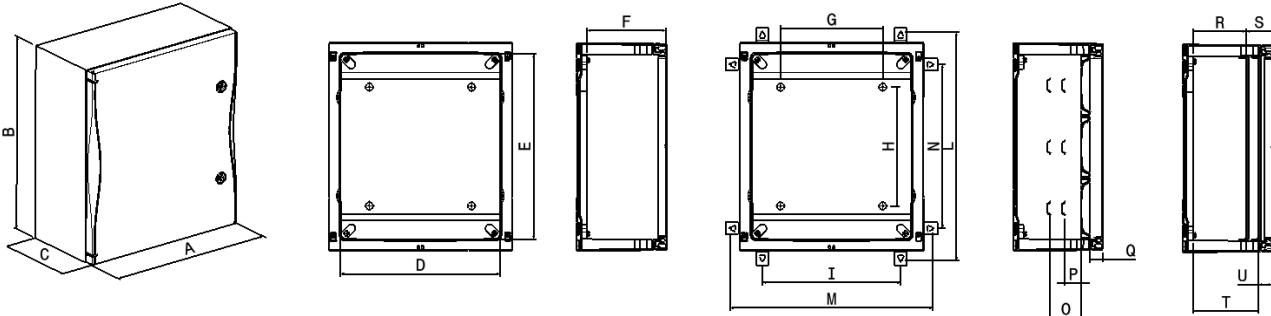


More advantages with tais cube

FRAME + BRACKETS + TRUNKINGS Fixing of the cable trunkings horizontally and vertically using the brackets	SPACERS + BACK PLATE Back plate adjustable in depth using the spacer	FRAME + PANELS + SPACERS Frame adjustable in depth using the spacer	FRAME + PARTIAL BACK PLATES Partial back plate adjustable in depth or in flat position

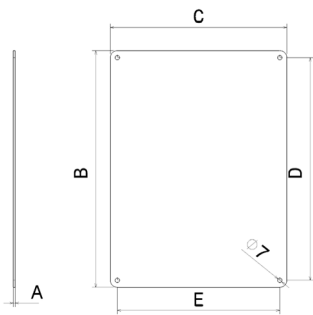
Dimensional Drawings

Boards in thermosetting (GRP)



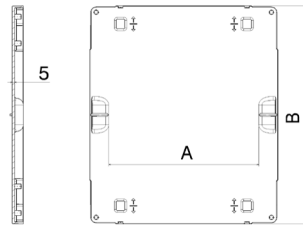
Size	A (mm)	B (mm)	C (mm)	D (mm)	E (mm)	F (mm)	G (mm)	H (mm)	I (mm)	L (mm)	M (mm)	N (mm)	O (mm)	P (mm)	Q (mm)	R (mm)	S (mm)	T (mm)	U (mm)
1	258	304	160	200	250	131	60	87	148	355	305	198	-	-	-	-	-	-	-
2	340	430	180	282	376	151	142	214	230	481	386	324	78	50	34	89	62	119	32
3	449	506	220	390	451	191	250	290	338	556	495	399	78	50	34	129	62	159	32
4	449	656	220	390	601	191	250	439	338	706	495	549	78	50	34	129	62	159	32
5	558	656	260	498	601	230	358	439	446	706	603	549	78	50	34	168	62	198	32
6	631	807	300	570	751	269	430	590	518	856	675	699	78	50	34	207	62	237	32
7	848	1058	350	786	1001	319	646	842	734	1106	891	949	78	50	34	257	62	237	32

Back plates



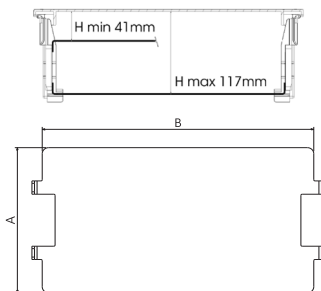
Code	A (mm)	B (mm)	C (mm)	D (mm)	E (mm)
550601	1,5	244	180	222	172
550602	1,5	370	261	348	254
550603	2	445	370	423	362
550604	2	595	370	573	362
550605	2	595	477	573	470
550606	2	745	550	723	542
550607	2	745	765	723	542
550621	3	244	194	222	172
550622	3	370	276	348	254
550623	3	445	384	423	362
550624	3	595	384	573	362
550625	3	595	492	573	470
550626	3	745	564	723	542

Inner doors



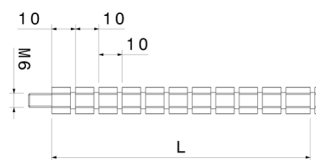
Code	A (mm)	B (mm)
550502	204	375
550503	310	450
550504	310	600
550505	335	600
550506	407	750
550507	623	1000

Partial back plates



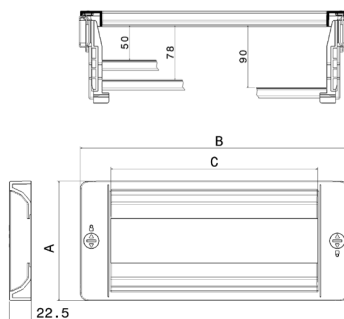
Code	A (mm)	B (mm)
550632	120	211
550633	145	319
550635	145	427
550636	145	499
550637	195	715

Spacers



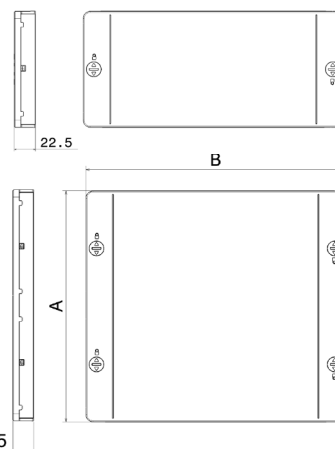
Code	L (mm)	N. positions
550662	70	7
550663	110	11
550665	150	15
550666	190	19
550667	240	24

Windowed panels



Code	A (mm)	B (mm)	C (mm)
550522	124	280	216
550523	149	388	324
550525	149	496	432
550526	149	568	504
550527	199	784	720

Blind panels



Code	A (mm)	B (mm)
550542	124	280
550543	149	388
550545	149	496
550546	149	568
550547	199	784
550552	248	280
550553	298	388
550555	298	496
550556	298	568
550557	398	784

For more information contact your local Lewden Regional Sales Managers & agents



Lewden Support



Iain Taggart
 +44 (0) 1376336213
 iain@cyrusagencies.co.uk
 Scotland

Kate Knox
 +44 (0) 1376336214
 kk@kateknoxagencies.com
 North

Core distribution NI
 +44 (0) 2890020066
 info@coreelectrical.com
 Northern Ireland

Mikesh Mistry
 +44 (0) 7442242193
 mikesh.mistry@lewden.co.uk
 Midlands

Tim Ketterer
 +44 (0) 1376336219
 tim@lm-agencies.com
 London North & East Anglia

Lee Mallett
 +44 (0) 1376336220
 lee@lm-agencies.com
 London North & East Anglia

Chris Smith
 +44 (0) 7919922910
 chris.smith@lewden.co.uk
 South West & Wales

Charlie Gammons
 +44 (0) 7484405743
 charlie.gammons@lewden.co.uk
 London South & South East

Hazel Barry
 +44 (0) 7442238552
 hazel.barry@lewden.co.uk
 Wholesale Partnerships
 Development Manager

Midlands	Northern Ireland	South West & Wales	London South & South East	London North & East Anglia	Scotland	North	
LN	Core Electrical BT	BA	BN	AL	HS	BB	
NG		BH	BR	CB	IV	BD	
LE		BS	CR	CM	AB	BL	
NN		DT	CT	CO	PH	CA	
CV		EX	DA	E	DD	DH	
Mikesh Mistry		B	GL	GU	EN	PA	DL
		DE	GY	KT	HA	FK	DN
		DY	JE	ME	HP	KY	HD
		ST	PL	PO	IG	KA	HG
		TF	SN	RG	IP	G	HU
	WR	SP	RH	LU	EH	HX	
	WS	TA	SE	MK	TD	L	
	WV	TQ	SL	N	KA	LA	
		TR	SM	NR	DG	LS	
		OX	SO	NW	IM	M	
		SW	RM		Kate Knox	NE	
		TN	SG			OL	
		TW	SS			PR	
		UB	WD			S	
		EC	WT			SK	
		WC				TS	
		W				WA	
						WF	
						WN	
						YO	
						FY	
						SR	
						LL	
						CH	
						CW	



The Electricians' Choice

Tel.: +44 (0) 1376 336 200 | sales@lewden.co.uk | lewden.com



Lewden_Elec



Lewden - Palazzoli Group



Lewden



@lewdenpalazzoli



@lewdenLtd