



Palazzoli
GROUP

METAL CONSUMER UNITS



**QFS-M Metal Consumer Units
Amendment 3 Compliant**

METAL CONSUMER UNITS

BS7671:2008
Amendment 3
Compliant



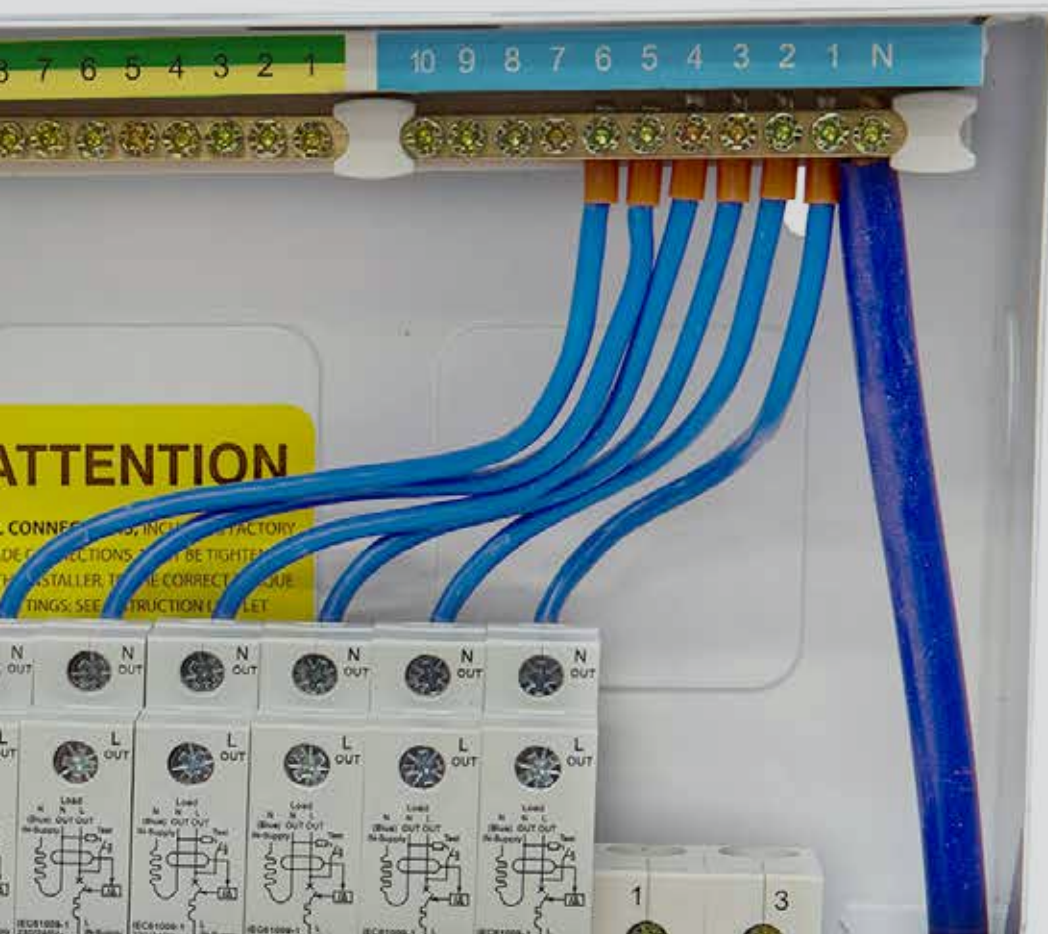
CONSUMER UNIT OFFER BS7671:2008 AMENDMENT 3

All plastic components are contained within the metal enclosure in compliance with **Amendment 3**.

The base has a selection of knockouts top, bottom, sides and base ranging from **Mini trunking** 25x40mm and 50x50mm to 25mm and 32mm conduit knockouts.

Attractively styled, finished in smooth white powder coated finish with self-closing door. Terminal bars are positioned at the top of the base ensuring a quick and easy install with all terminal bars clearly labelled.

The range consists of the following six enclosure modular sizes: 4, 8, 10, 12, 16, 21. In the following layouts: populated RCBO + MCB, Dual RCCB, Main Switch, RCCB, Split load board and empty enclosures for housing modular components or to allow on site design and assembly of oneoffs.



QFS-M Metal Consumer Units - Amendment 3

Compliant:

- Extra height designed for single module RCBOs
- Selection of knockouts, mini trunking and conduit
- Metal DIN Rail assembly
- Earth & Neutral terminals at the top
- Busbar shroud
- Maximum usable ways 19
- Powder coated to RAL 9003

METAL CONSUMER UNITS



POPULATED RCBO

Part Number	MS Rating	Total Ways	Main Switch	RCBOs (B Type)				Drawing Reference
				6A	16A	32A	40A	
QFS-PR08	100A	8	1	2	1	3	-	Module 10
QFS-PR10	100A	10	1	3	1	3	1	Module 12
QFS-PR14	100A	14	1	4	1	4	1	Module 16



POPULATED MCB

Part Number	MS Rating	Total Ways	Main Switch	RCCB 63 A 30 mA	MCBs (B Type)				Drawing Reference
					6A	16A	32A	40A	
QFS-PM06	100 A	6	1	2	2	1	1	-	Module 12
QFS-PM10	100 A	10	1	2	2	1	3	-	Module 16
QFS-PM14	100 A	15	1	2	3	1	3	1	Module 21

Flexible split can also be configured for high integrity circuits on the main switch



GARAGE UNITS

Part Number	MS Rating	Total Ways	Main Switch	RCCB 63 A 30 mA	MCBs (B Type)				Drawing Reference
					6A	16A	32A	40A	
QFS-MCGARAGE-63		2		1	1	1	-	-	Module 04
QFS-MCGARAGE-MS	100 A	2	1	-	1	1	-	-	Module 04



DUAL FLEXI

Part Number	MS Rating	Total Ways	Main Switch	RCCB 63 A 30 mA	RCCB 80 A 30 mA	Drawing Reference
QFS-MX12RRMFLEXI	100 A	6	1	2	-	Module 12
QFS-MX16RRMFLEXI	100 A	10	1	2	-	Module 16
QFS-MX20RRMFLEXI	100 A	15	1	-	2	Module 21

Flexible split can also be configured for high integrity circuits on the main switch

METAL CONSUMER UNITS



MAIN SWITCH

Part Number	MS Rating	Total Ways	Drawing Reference
QFS-MX04M	100 A	2	Module 04
QFS-MX08M	100 A	6	Module 08
QFS-MX10M	100 A	8	Module 10
QFS-MX12M	100 A	10	Module 12
QFS-MX16M	100 A	14	Module 16
QFS-MX20M	100 A	19	Module 21



RCCB

Part Number	RCCB Rating	Total Ways	Drawing Reference
QFS-MX04R	63A 30mA	2	Module 04
QFS-MX08R	63A 30mA	6	Module 08
QFS-MX10R	80A 30mA	8	Module 10
QFS-MX12R	80A 30mA	10	Module 12



SPLIT LOAD BOARD

Part Number	MS Rating	Total Ways	Main Switch	RCCB 63 A 30 mA	RCCB 80 A 30 mA	Drawing Reference
QFS-MX10SLB	100 A	6	1	1	-	Module 10
QFS-MX12SLB	100 A	8	1	1	-	Module 12
QFS-MX16SLB	100 A	12	1	-	1	Module 16
QFS-MX20SLB	100 A	17	1	-	1	Module 21

Flexible split can also be configured for high integrity circuits on the main switch



MODULAR ENCLOSURES

Part Number	Module
QFS-MC04ENC	4 module
QFS-MC08ENC	8 module
QFS-MC10ENC	10 module
QFS-MC12ENC	12 module
QFS-MC16ENC	16 module
QFS-MC20ENC	21 module

METAL CONSUMER UNITS



6kA MINIATURE CIRCUIT BREAKERS BS EN 60898

Part Number	RATED CURRENT	BOX QUANTITY
B TYPE		
EC-1B06	6A	12
EC-1B10	10A	12
EC-1B16	16A	12
EC-1B20	20A	12
EC-1B32	32A	12
EC-1B40	40A	12

6kA Breaking capacity
For use on 230V



PADLOCK FOR MCBs, RCCBs and RCBOs

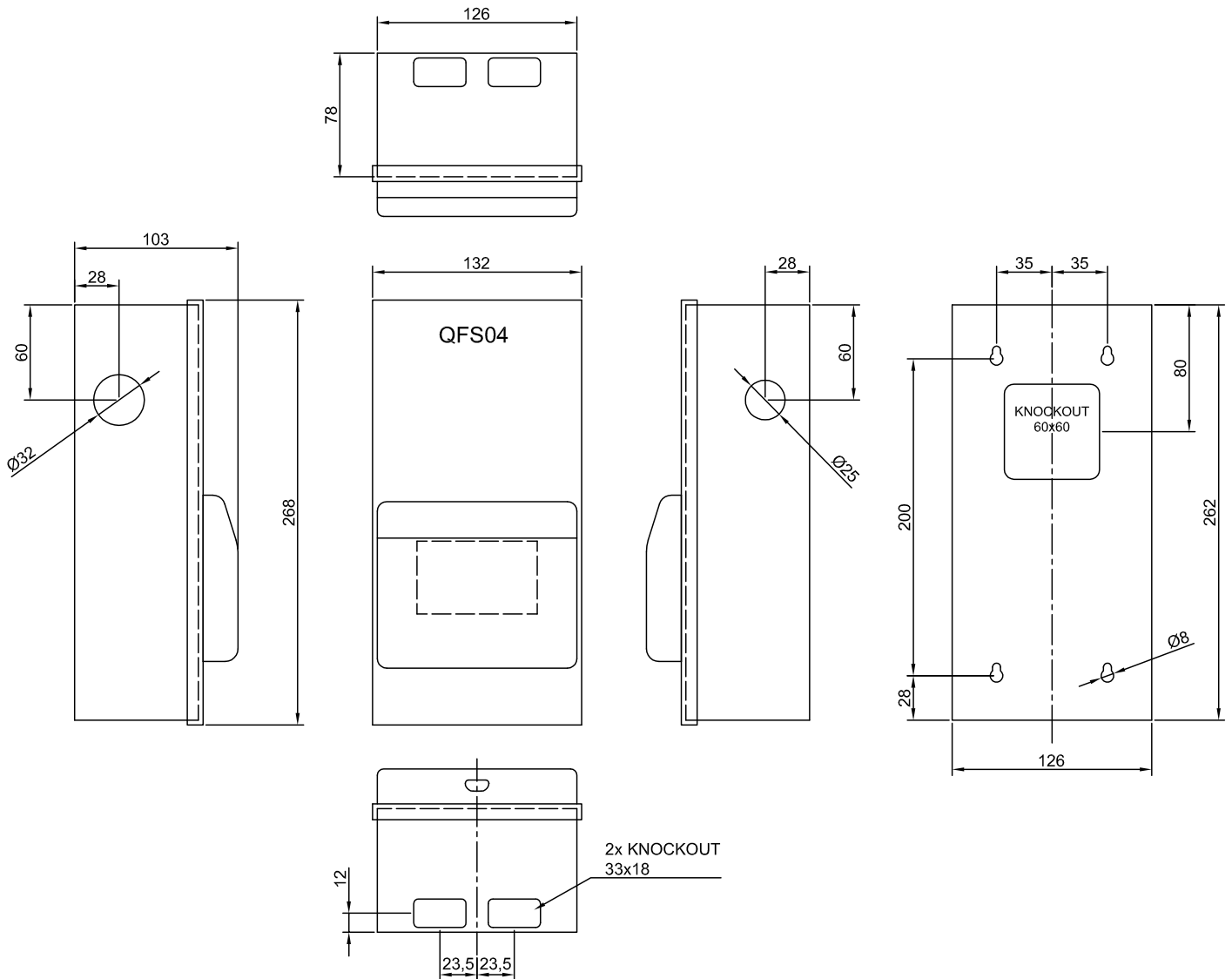
Part Number	Equipment	
MCBLOCK	3 keys	yellow hazard indicator

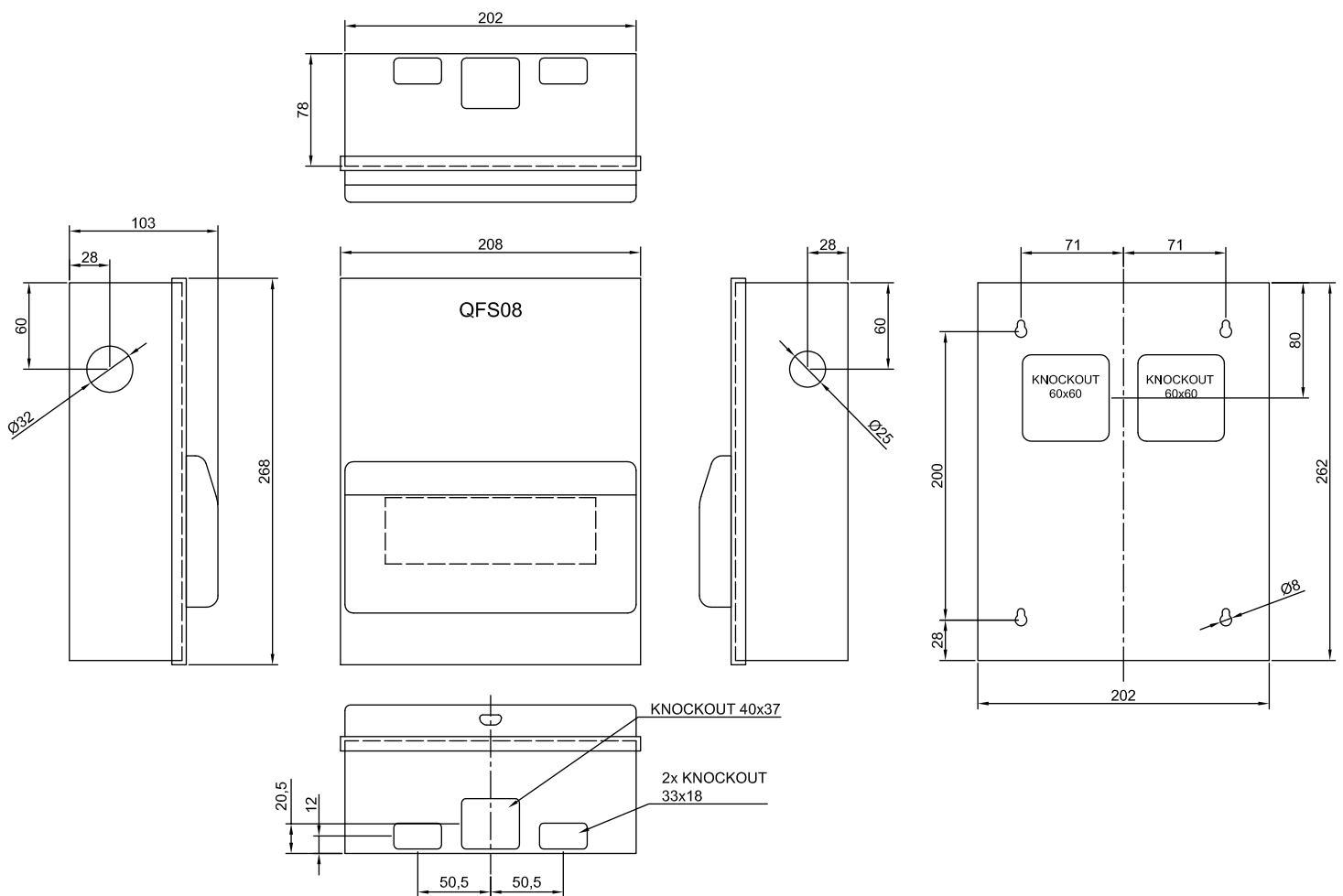


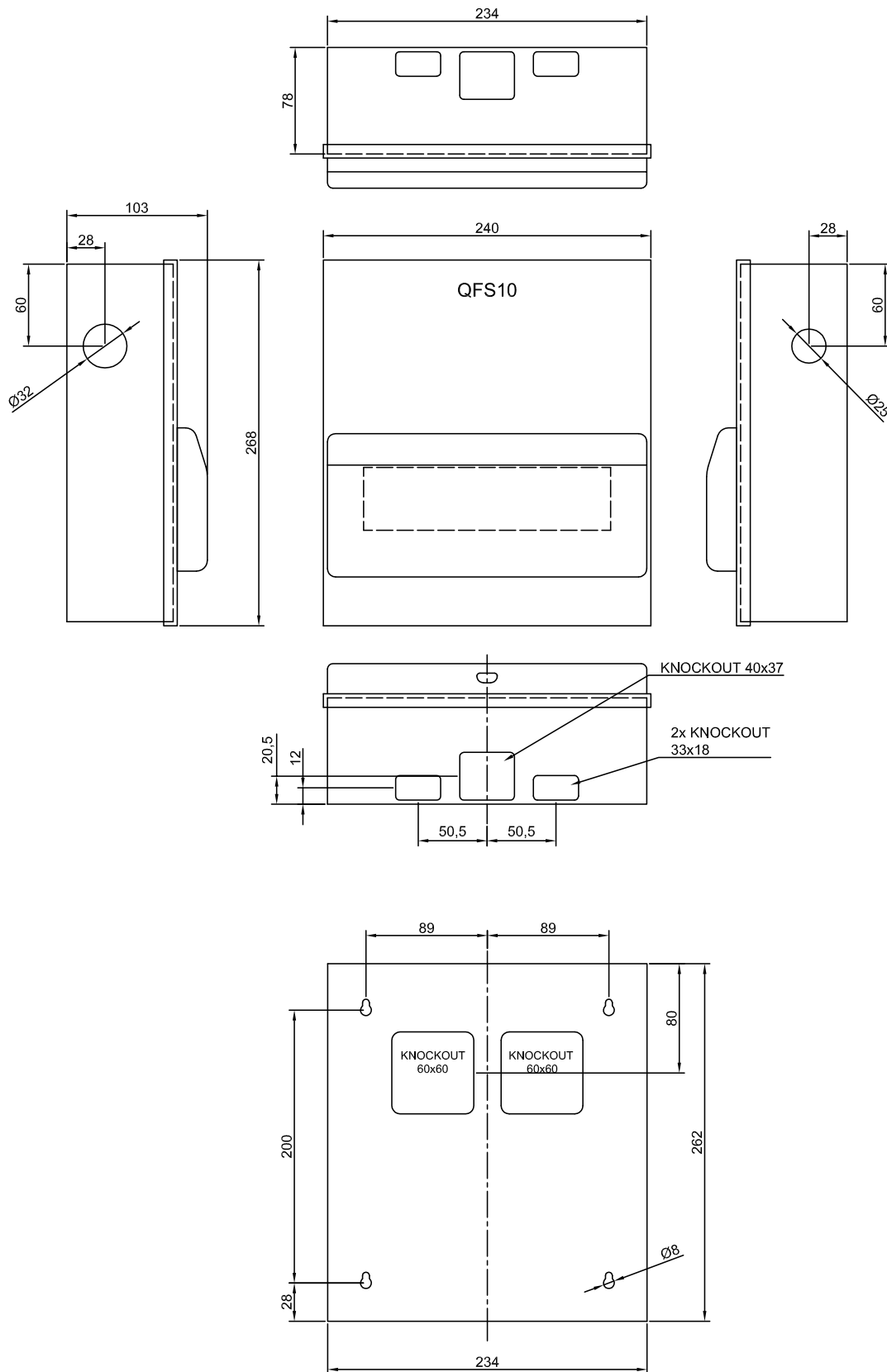
6kA SINGLE MODULE RCBOs BS EN 61009-1

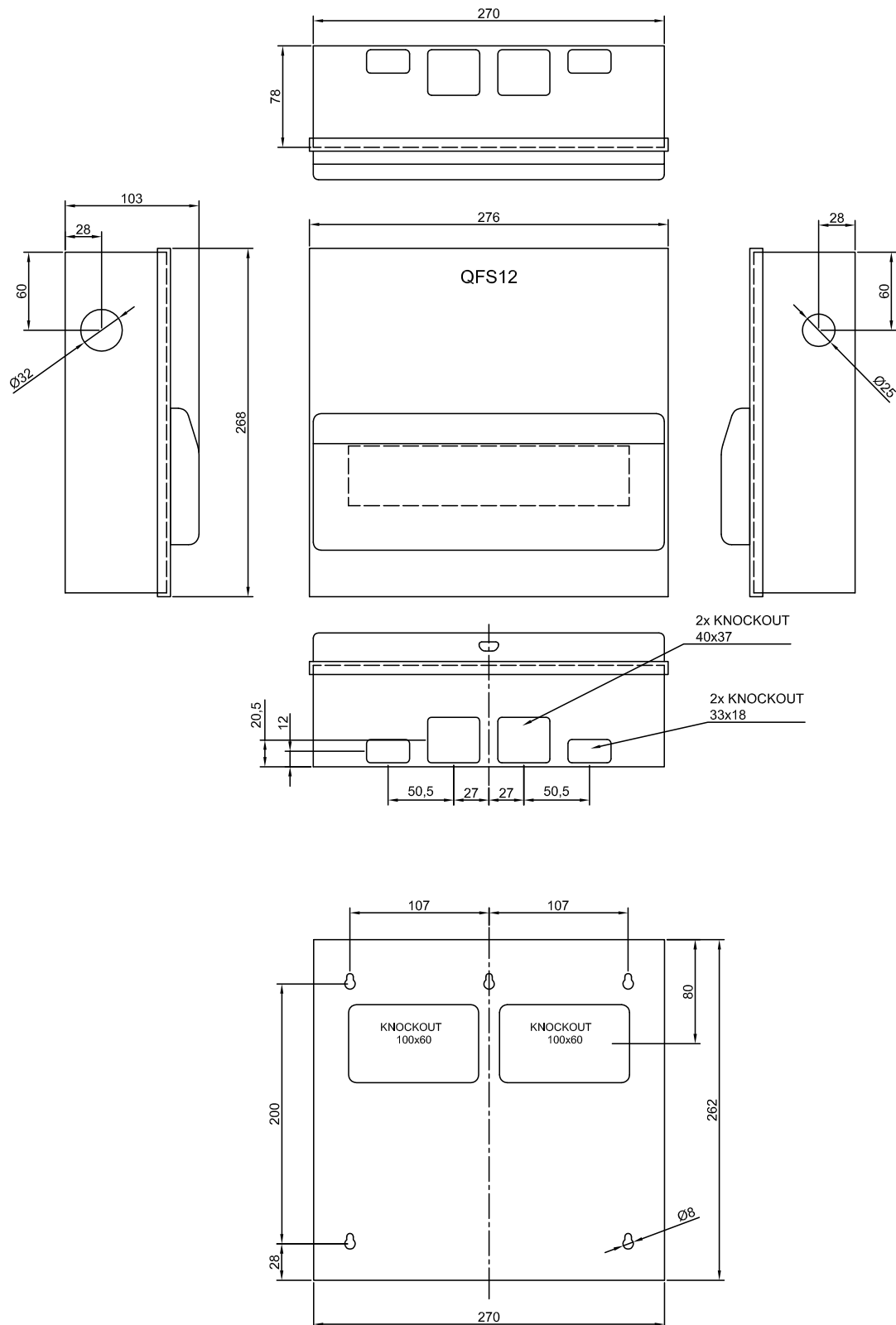
Part Number		RATED CURRENT
B TYPE (30 mA)	C TYPE (30 mA)	
RCBO-06/30/SP	RCBO-06/30/1M/C	6A
RCBO-10/30/SP	RCBO-10/30/1M/C	10A
RCBO-16/30/SP	RCBO-16/30/1M/C	16A
RCBO-20/30/SP	RCBO-20/30/1M/C	20A
RCBO-32/30/SP	RCBO-32/30/1M/C	32A
RCBO-40/30/SP	RCBO-40/30/1M/C	40A
RCBO-50/30/SP	RCBO-50/30/1M/C	50A

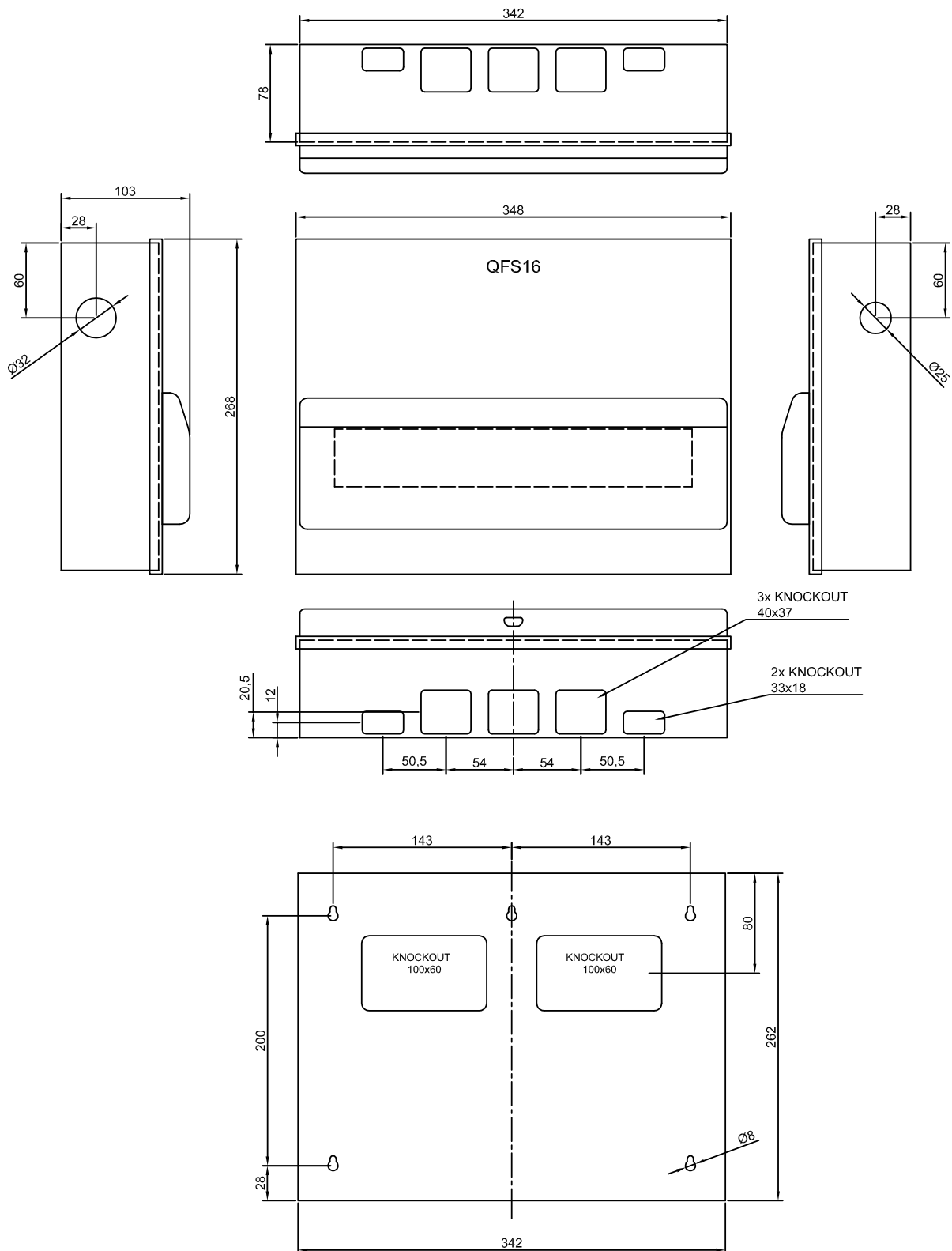
16mm² max. cable capacity

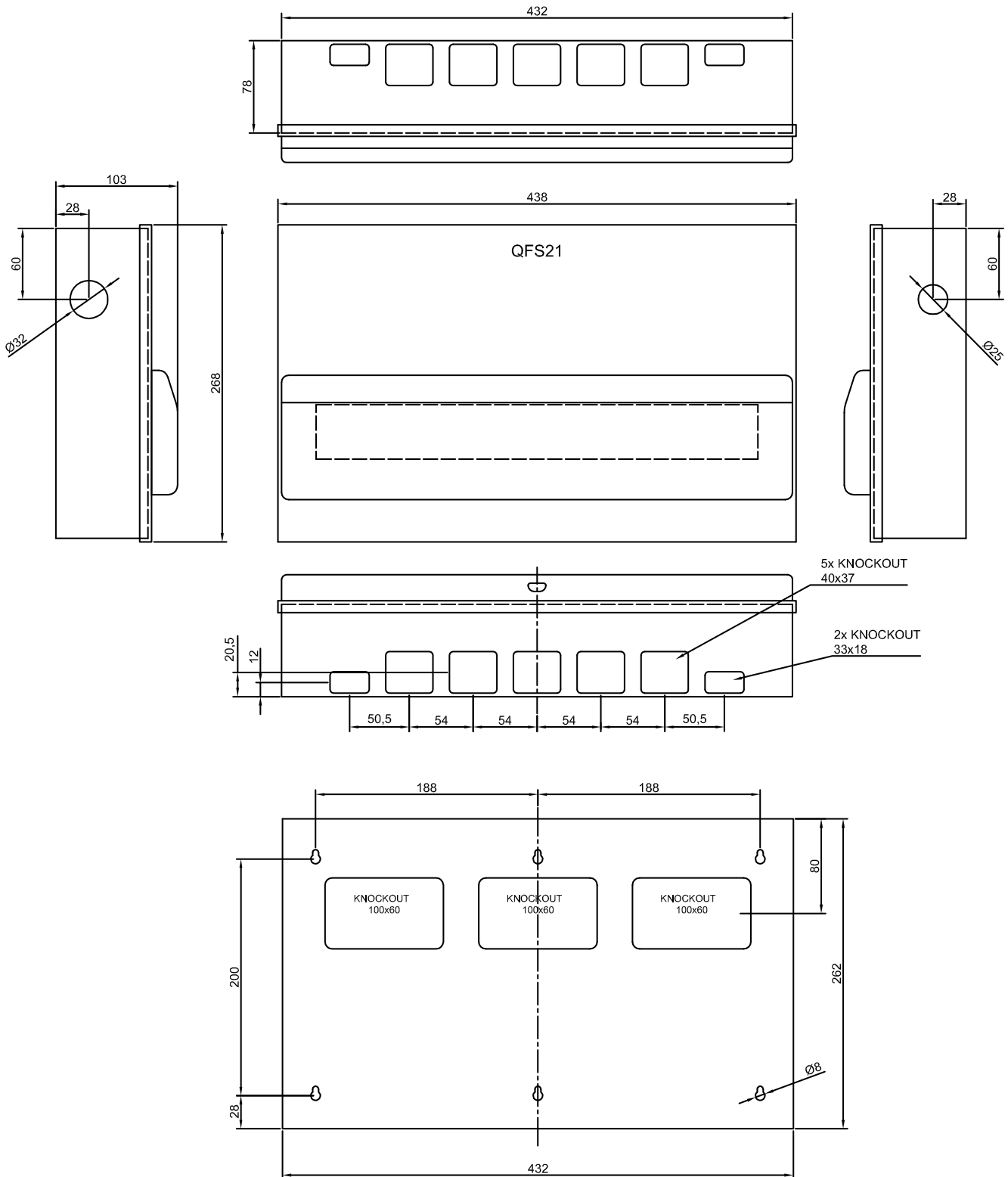














Palazzoli
GROUP



METAL CONSUMER UNITS



QFS-M Metal Consumer Units Amendment 3 Compliant

More information contact your Lewden Regional Sales Manager
Tel: 01376 336 200 - Fax: 01376 322 161 - sales@lewden.co.uk - www.lewden.com